

# Trieste shown on pages 50-51

## Overview

Cast Iron; Footed ends only  
20 year warranty

## Finish

Supplied in a standard primer, ready to be painted in your desired finish

## Delivery

Supplied to order approximate delivery time (8-16 weeks).



## Trieste Sectional

Build your radiator to fit your requirements using individual sections shown below. For more than 40 sections please contact our Customer Services team.

### 2 Column

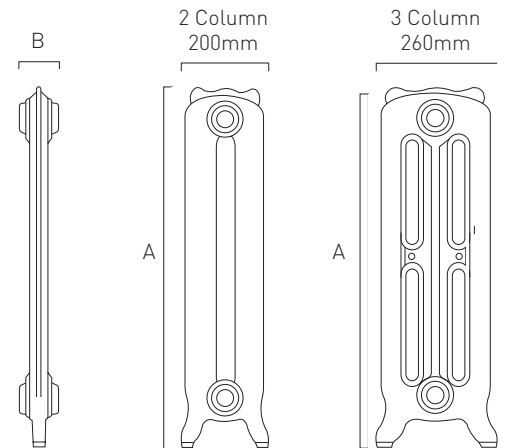
Model	Height A (mm)	Width B (mm)	Watts Δt 50°C	Primer Ex GST
NTRIE2C66	661	76	130	\$137.00
NTRIE2C76	760	76	143	\$146.00
NTRIE2C95	955	76	168	\$177.00

### 2 Column Mini Trieste

Model	Height A (mm)	Width B (mm)	Watts Δt 50°C	Primer Ex GST
NMINTRIE2C51	514	76	110	\$102.00

### 3 Column

Model	Height A (mm)	Width B (mm)	Watts Δt 50°C	Primer Ex GST
NTRIE3C76	768	78	189	\$164.00
NTRIE3C96	961	78	221	\$230.00



The Trieste is a free standing radiator and is supplied with footed end sections only.

Trieste	Pipe centres left to right	Pipe centres from wall
2 Column / 2 Column Mini Trieste	76 x number of sections + 24mm bushes + valves	As a free standing radiator pipe centres depend on final position.
3 Column	78 x number of sections + 24mm bushes + valves	As a free standing radiator pipe centres depend on final position.

## Trieste sectional with footed end sections

Use table below to calculate required number of footed sections to suit.

### 2 Column

Model	Height A (mm)	Width B (mm)	Watts Δt 50°C	Primer Ex GST
NTRIE2C66FS	661	76	130	\$159.00
NTRIE2C76FS	760	76	143	\$186.00
NTRIE2C95FS	955	76	168	\$208.00

### 3 Column

Model	Height A (mm)	Width B (mm)	Watts Δt 50°C	Primer Ex GST
NTRIE3C76FS	768	78	189	\$177.00
NTRIE3C96FS	961	78	221	\$239.00

### 2 Column Mini Trieste

Model	Height A (mm)	Width B (mm)	Watts Δt 50°C	Primer Ex GST
NMINTRIE2C51FS	514	76	110	\$115.00

Upto 15 Sections	16-25 Sections	26-40 Sections
2 footed end sections	3 footed end sections	4 footed end sections