

AURIGA A SINGLE PHASE HEAT PUMP

MANUFACTURED BY:

BAXI

Auriga A single phase heat pumps allow more advanced solutions in any domestic environment delivering both hydronic heating and cooling as well as domestic hot water. The new range of Baxi heat pumps are air to water heat pumps using inverter technology, ideal for stand-alone systems or combined with additional heat sources and equipment delivering hybrid systems.

NISSL

7 YEAR* WARRANTY



AURIGIA A

- Summer/winter working mode (reversible)
- Twin Rotary DC inverter compressor and DC inverter modulating fan
- Control panel as per standard (wired) for the control and programming
- Reduced noise emissions
- Complete package: low consumption pump, water/gas heat exchanger, 8 litres integrated expansion vessel, water flow switch, 3 bar safety valve
- Many plant configurations without the need of an external control unit, including simple cascade of up to 6 appliances

HEAT PUMP THERMOSTAT & CONTROLLER



AQUA PLUS BUFFER TANK (OPTIONAL)



**NISSL EICHERT
HYDRONIC
HEATING**
www.nissleichertheating.com.au

NISSL EICHERT SHOWROOM

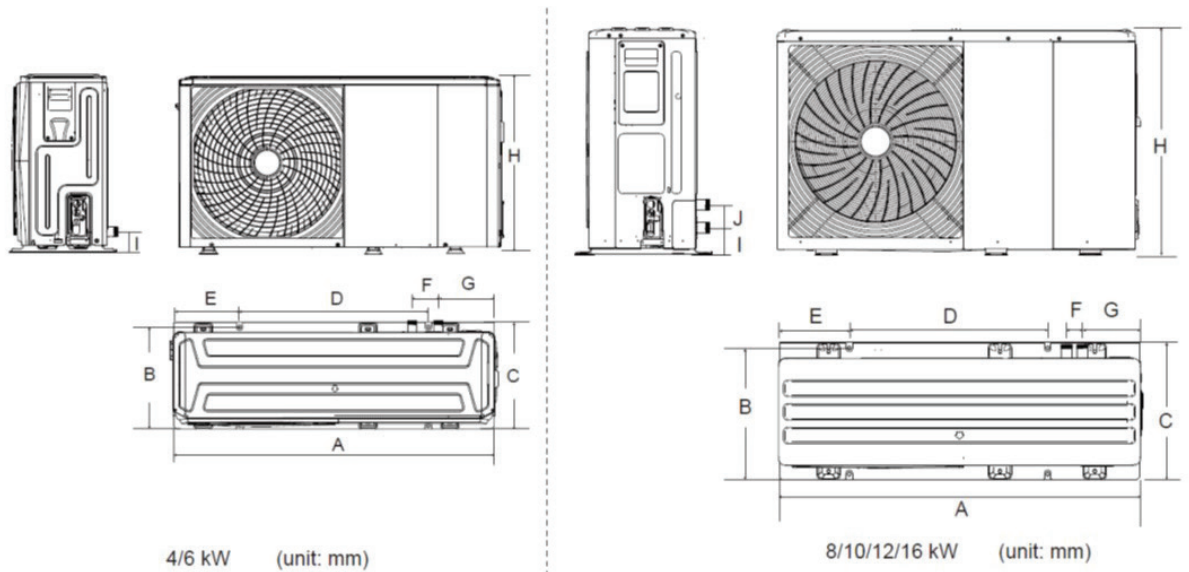
257 Canterbury Road
Canterbury, VIC 3126

P: (03) 9836 1484

enquiries@nissleichertheating.com.au

WWW.NISSEICHERTHEATING.COM.AU

Technical data		AURIGA A 4 KW	AURIGA A 6 KW	AURIGA A 8 KW	AURIGA A 12 KW	AURIGA A 14 KW	AURIGA A 16 KW
Power Supply	V-ph-Hz	230-1-50					
Heating Output	kW	4.20	6.35	8.40	12.10	14.50	15.90
COP (A7/W35)		5.10	4.95	5.15	4.95	4.60	4.50
Cooling Output	kW	4.50	6.50	8.30	12.00	13.50	14.90
EER (A35/W18)		5.50	4.80	5.05	3.95	3.61	3.40
Working Range - Heating	°C	-25/+35°C	-25/+35°C	-25/+35°C	-25/+35°C	-25/+35°C	-25/+35°C
Working Range - Cooling	°C	-5/+43°C	-5/+43°C	-5/+43°C	-5/+43°C	-5/+43°C	-5/+43°C
Maximum Water Temperature	°C	65°C	65°C	65°C	65°C	65°C	65°C
Refrigerant Gas		R32					
Hydraulic Circuit Maximum Pressure	kPa	300					
Rated Operating Current	A	12	14	16	25	26	27
Expansion Vessel Volume	L	8					
Sound Power Level	dB(A)	55	58	59	65	65	68
Operating Weight	kg	109	109	132	155	155	155



Model	A	B	C	D	E	F	G	H	I	J
4/6kW	1295	397	429	760	265	105	225	692	61	/
8/10/12/16kW	1385	482	526	760	270	60	221	845	82	81

